

VOLVO ECR58-T TUNNEL-EXCAVATOR

SSM
SCHÖLLER SPECIAL MACHINES

- OPERATING WEIGHT 7 – 7.5 T
- ENGINE POWER 36 KW - TIER 4F (STAGE V)
- FOR TUNNEL HEIGHTS FROM 3.0 TO 4.5 M
- BREAKOUT FORCE 48 KN
- TEAROUT FORCE 25 KW
- HIGH HYDRAULIC PEFROMANCE FOR ATTACHMENET TOOLS
- FOR TUNNEL HEADING IN SOFT GROUND CONDITIONS
- OPTIONAL ALSO WITH ELECTRIC DRIVE OR TWINDRIVE



ENGINE

The certified Volvo diesel engine fully meets the demands of the latest emission regulations Tier 4f /Stage V. The water cooled engine uses precise, high pressure fuel injectors and provides optimize machine performance and high fuel efficiency. The Volvo EATS exhaust gas emission control essentially comprises a combination of a diesel oxidation catalytic converter (DOC) and a downstream diesel particle filter (DPF).

The stacked water and hydraulic oil cooler is easy accessible and equipped with a single-speed fan for the cooling system.

Air Filter: 2-stage, Pre-heated fuel filter

Automatic Idling System: Reduces engine speed to idle when the levers and pedals are not activated resulting in less fuel consumption and low cab noise levels.

Engine type	Volvo	D2.6H
No. of cylinders		4
Displacement	l	2,615
Max. engine speed	rpm	2.200
Max. gross power	kW/hp	36/48
Max. torque at engine speed	Nm/rpm	174

ELECTRICAL SYSTEM

Well protected high-capacity electrical system. Waterproof double-lock harness plugs are used to secure corrosion-free connections. The main relays and solenoid valves are shielded to prevent damage. The master switch is standard. The I-ECU control panel beside the operator seat provides controls and displays the machine functions. The machine is equipped with a yellow beacon, acoustic drive alert and codec-secured anti-theft device.

Voltage	V	12
Batteries	V/Ah	12/74
Alternator	V/Ah	12/70

SWING SYSTEM

Maintenance free hydrostatic swing system, with radial piston motor and an automatic holding brake and anti-rebound valve are standard.

Max. slew speed	rpm	8,7
Max. slew torque	kNm	12,3

TRAVEL SYSTEM

Each track is powered by an automatic two-speed shift travel motor. The track brakes are multi-disc, spring-applied and hydraulic released. The travel motor, brake and planetary gears are well protected within the track frame.

Max. drawbar pull	kN	4,75
Max. travel speed (low / high)	km/h	2,6 / 4,5
Max. gradeability	°	20

UNDERCARRIAGE

Robuster, X-förmiger Rahmen mit dauergeschmierten und abgedichteten Raupenketten. Stütz- und Planierschild am Unterwagen.

Steel crawler chains (optional with rubber pads, 400 mm wide)		
Shoe width, steel grouser shoe	mm	380
Bottom rollers	ea	2 x 5
Top rollers	ea	2 x 1

CABIN

The FOPS certified operator's cab has easy access via a wide door opening. The cab is supported on dampening mounts to reduce shock and vibration levels. These along with sound absorbing lining provide low noise levels. The cab has excellent allround visibility. The front windshield with wiper unit can easily slide up into the ceiling, and the lower front glass can be removed and stored in the side door.

The spring-suspended driver's seat and the joystick console can be adjusted independently of each other. The seat has different adjustments plus a seat belt with warning device for the operator's comfort and safety. Beside the multifunctional operating panel, also an AM/FM radio with USB port is installed. The cabin has an integrated heating and air-conditioning system (working with coolant of type R134a).

HYDRAULIC SYSTEM

The hydraulics system operates with an open negative control system which optimal matches to the engine and components and allows independent and simultaneous movements. The hydraulic systems operates with one axial piston pump.

Hose burst protection valves at the boom and dipper arm cylinders provide safe operation.

Main pump, type variable displacement axial piston pump		
Max. flow rate	l/min	143 @ 2200 Upm
Max. operating pressure (main pump)	bar	260
Max. flow for hammer/drum cutter circuit (X1)	l/min	75 (proportional)
Max. operating pressure for attachment tools (X1)	bar	220
Max. flow for second auxiliary circuit (X3)	l/min	40 (proportional)

TUNNELING BOOM EQUIPMENT

- Heavy-duty tunnel boom with swivel mechanism 2x40°
- All main bearing points with exchangeable bushings and floating bolts
- Hydraulic adjustable king post toward the upper-carriage, allows max. maneuverability of the boom
- Basic boom with lifting cylinder including hose burst protection valve
- Swivel bracket (2x40 °) with one cylinder
- Dipper arm with lifting cylinder including hose burst protection valve and reinforced bucket cylinder integrated in the dipper stick
- Hydraulic hose line installation on the boom (hydraulic hoses for easy maintenance and exchangeability)
- Additional hydraulic control circuits for hammer / drum cutter (X1, proportional) and rotary drive circuit (X3, proportional) as well as drain oil line.

Tearout force (arm)	kN	42
Breakout force (bucket)	kN	60

MODIFICATIONS AND OPTIMIZATIONS

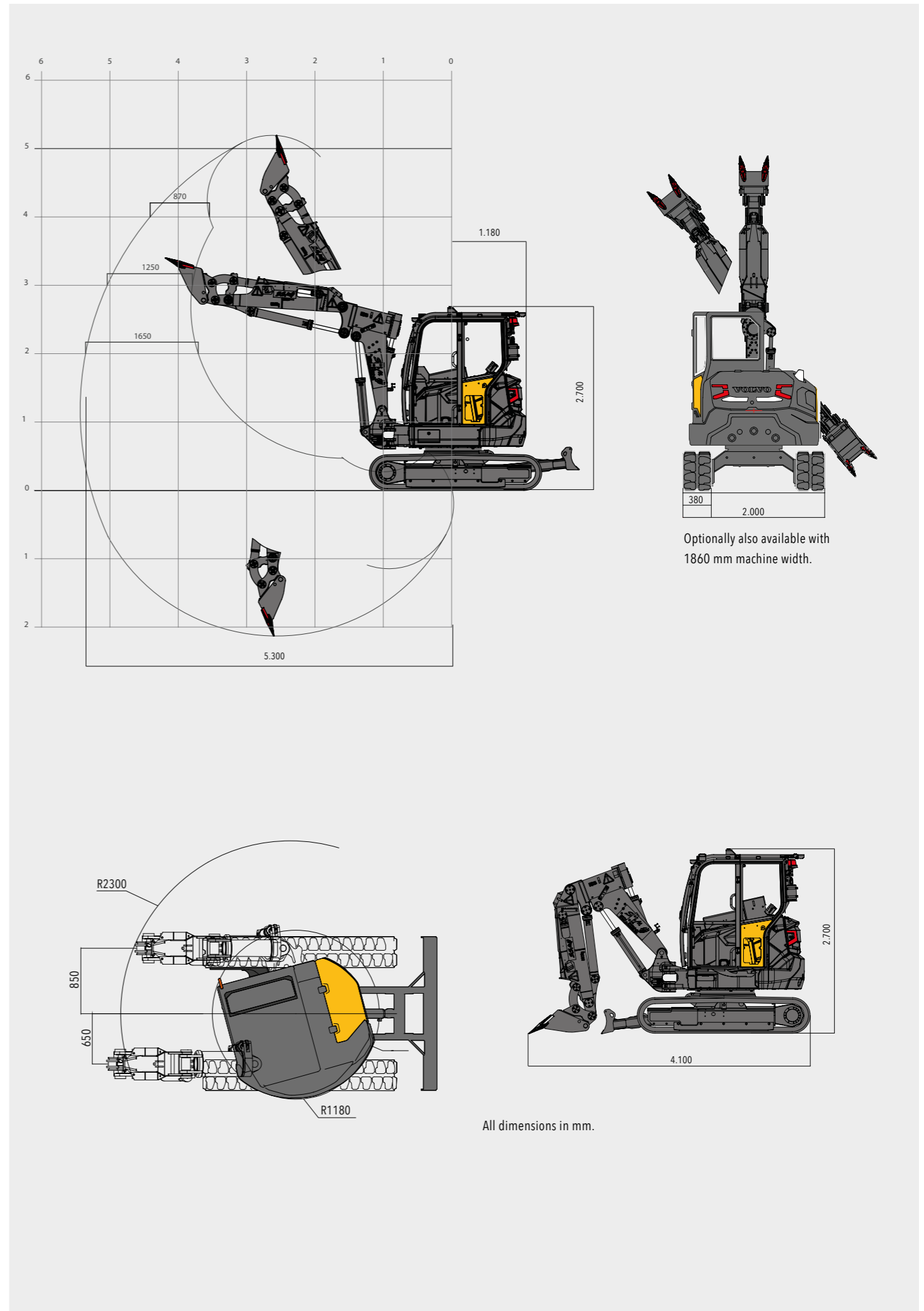
- Optimised excavator superstructure frame including modification of the aggregate suspensions a cable & hose installation
- Side ram protection (tunnel protection bar) at the outside of the upper-carriage frame
- Bigger rear counter weight for better stability while working
- Additional guides for crawler drive chains
- Crawler chain dirt scrapers (height adjustable, at front and rear side, optional)
- Reinforced cabin front and roof protection grid FGPS, (FOPS level 2)
- Hand operated fire extinguisher in protective box on the upper-carriage
- Electric filling pump for hydraulic oil
- LED headlights on the upper front and rear of the cab
- Drive warning lights (flashing lights) on the front and rear of the chassis
- Emergency stop switch on the superstructure (1 x cabin and 2 x rear of the superstructure)
- Drain oil line installation on boom and in basic machine
- Other various modifications and optimizations
- Lifting points for crane transport (optional)
- Optional accessories: central lubrication system, fire extinguishing system, quick coupler, various buckets and attachment tools, etc.

SERVICE REFILL

Fuel tank	l	70
Hydraulic system, total	l	76
Hydraulic tank	l	47
Engine oil	l	10,2
Engine coolant	l	9,3
Travel reduction unit	l	2 x 0,8

SOUND LEVEL

Sound pressure level in cab according to ISO 6396		
LpA (standard)	dB	74
External sound level according to ISO 6395 and EU Noise Directive 2000/14/EC		
LWA (standard)	dB	97



Optionally also available with 1860 mm machine width.

All dimensions in mm.



Schöller special machines GmbH & Co.KG
Bachstraße 19
D-74585 Rot am See – Hausen am Bach
T: +49 7958 999969-0
Service Hotline: +49 152 26235138
E-Mail: info@itc-ssm.de
www.itc-ssm.de